

ViNtrol® Series CL3 Compact Floating Ball Valves

ViNtrol® Inc.

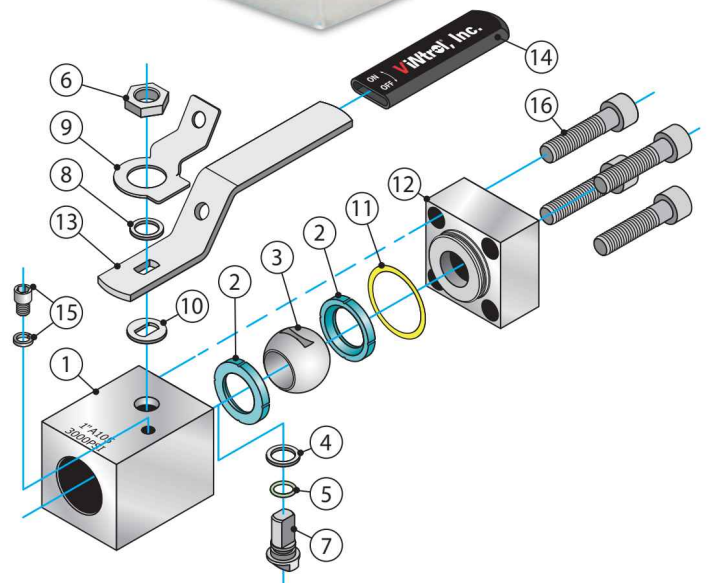
Your Valve Solution Specialist



Parts & Materials

No.	Qty.	Part	Material
1	1	Body	ASTM A105
2	2	Seat	Nylon
3	1	Ball	316 Stainless Steel
4	1	Thrust Washer	Nylon
5	1	O-ring	Viton® (FKM)
6	1	Nut	Carbon Steel
7	1	Stem	316 Stainless Steel
8	1	Washer	Carbon Steel
9	1	Stop Plate	Carbon Steel
10	1	Stem Washer	Nylon
11	1	Body O-ring	Viton® (FKM)
12	1	Cap	ASTM A105
13	1	Handle	Carbon Steel
14	1	Handle Cover	PVC
15	1	Stop Pin & Washer	Carbon Steel
16	4	Bolts, Body	ASTM A193 B7
17*	1	Cap	Plastic

* Part not shown. See dimensional drawing (back page).

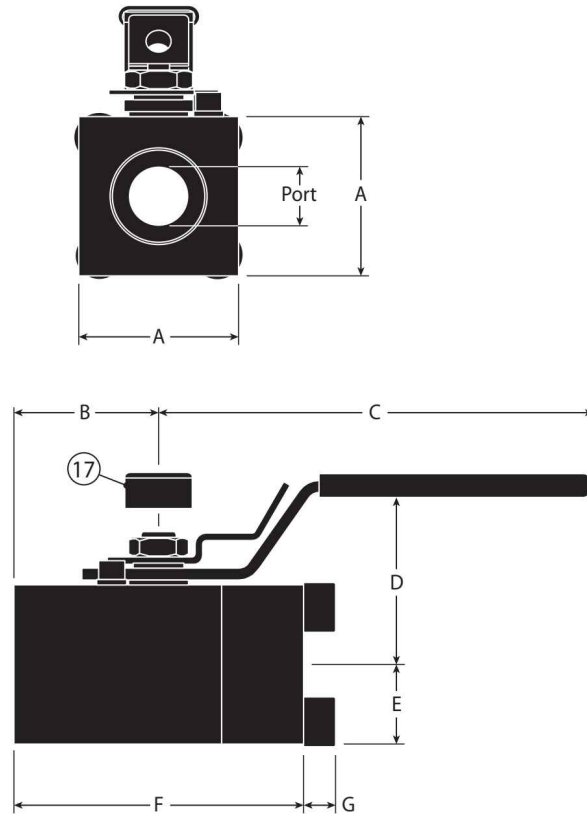


Visit Our Website for More Information • www.vintrol.com

Series CL3 Floating Ball Valve Engineering Data

Dimensions (in.), Weight (Lbs.) and Flow Coefficient (C_v)

Dim.	Size (in.)			
	1/4"	1/2"	3/4"	1"
Port	0.37	0.37	0.75	0.75
A	1.25	1.25	2.00	2.00
B	1.12	1.12	1.81	1.81
C	3.50	3.50	4.87	4.87
D	1.62	1.62	2.25	2.25
E	0.62	0.62	1.00	1.00
F	2.25	2.25	3.62	3.62
G	0.25	0.25	0.37	0.37
Lbs.	1.00	1.00	3.50	3.50
C _v	—	6.00	—	30.00



How To Order

Example:
3050

3

1

2

2

N

L

Assembly Base No.	Body Material	Trim Material	End Connection	Seat Type	Seals	Options
3025 • 1/4"	3	1	2	2	N	L
3050 • 1/2"	3000 psig	Carbon Steel	Stainless Steel	Compact	NACE	CL3
3075 • 3/4"						
3100 • 1"						

ViTrol®, Inc.
Valve Solution Specialist



5325 S.W. 36th Street • Oklahoma City, OK 73179-7802
Phone: 405-261-0770 • Toll Free: 1-866-345-8298
Fax: 405-261-0774 • www.vintrol.com